

Medium hinged covers

Meets NEMA 1, 3, 3S, 3X, 3SX, 4, 4X, 12, 13



Features and benefits:

- Non-metallic mounting feet and all mounting hardware included
- White-painted 14-gauge steel or ¼" PVC back panel (order separately)
- 304 (18-8) stainless steel screws (10-32/1½")
- Completely non-metallic hinges
- Brass screw inserts
- Temperature range: -40° to 185°F
- Material: NORYL base and cover

Factory assembled



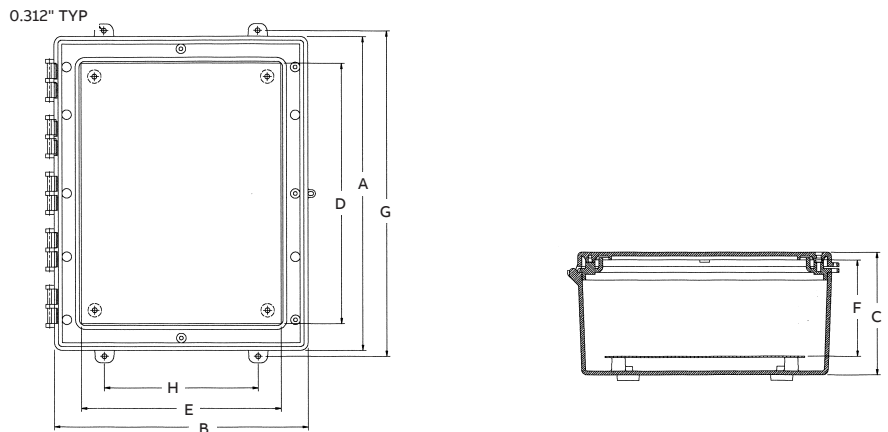
Cat. No.	Dimensions (in.)								Std. Wt. (lbs.)	Back Panel* Cat. No.		Panel Size (in.)	Std. Wt. (lbs.) Steel/PVC
	External			Internal			Mounting			Steel	PVC		
	A	B	C	D	E	F	G	H					
C2016A4	20.50	16.50	8.36	17.25	13.25	6.28	21.26	10.00	1 (15.1)	NP2016	NP2016P	17 x 13.25	1 (7.0)/1 (6.1)
C2016B4	20.50	16.50	10.36	17.25	13.25	8.28	21.26	10.00	1 (17.2)	NP2016	NP2016P	17 x 13.25	1 (7.0)/1 (6.1)
C2016C4	20.50	16.50	12.36	17.25	13.25	10.28	21.26	10.00	1 (19.7)	NP2016	NP2016P	17 x 13.25	1 (7.0)/1 (6.1)
C2420A4	24.50	20.50	8.36	21.25	17.25	6.28	25.26	14.00	1 (21.5)	NP2420	NP2420P	21 x 17	1 (10.4)/1 (4.7)
C2420B4	24.50	20.50	10.36	21.25	17.25	8.28	25.26	14.00	1 (24)	NP2420	NP2420P	21 x 17	1 (10.4)/1 (4.7)
C2420C4	24.50	20.50	12.36	21.25	17.25	10.28	25.26	14.00	1 (24.9)	NP2420	NP2420P	21 x 17	1 (10.4)/1 (4.7)
C3024A4	30.50	24.50	8.36	27.25	21.25	6.28	31.26	18.00	1 (28.4)	NP3024	NP3024P	27 x 21	1 (18.0)/1 (9.8)
C3024B4	30.50	24.50	10.36	27.25	21.25	8.28	31.26	18.00	1 (31.4)	NP3024	NP3024P	27 x 21	1 (18.0)/1 (9.8)
C3024C4	30.50	24.50	12.36	27.25	21.25	10.28	31.26	18.00	1 (33.8)	NP3024	NP3024P	27 x 21	1 (18.0)/1 (9.8)

*Order back panels separately.

*Enclosure only available with opaque hinged cover.

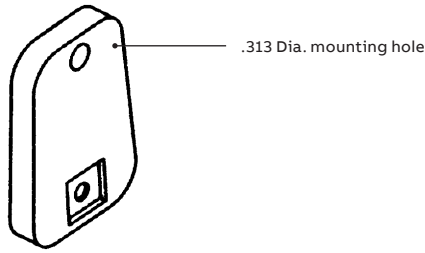
Enclosures shipped with mounting feet, hinge caps and screws.

For factory-installed pad-lockable latch (part no. CJTL), consult customer service for price and delivery.



Circuit Safe®

JIC accessories



Mounting feet

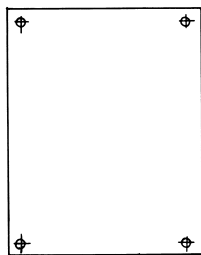
Cat. No.	Std. Ctn.	Std. Wt. (lbs.)
CJB159*	As required	.04

*CJB159 non-metallic mounting feet provide 1/4" standoff and may be used to mount enclosures in horizontal or vertical mode. They are shipped with all Circuit Safe® JIC enclosures. No screws are provided when mounting feet are ordered separately.

JIC installation kit

Cat. No.	Std. Ctn.	Std. Wt. (lbs.)
CH208*	1 Kit	.25

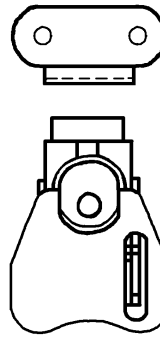
*Installation kit is included as standard equipment with all JIC enclosures. Information listed here for purposes of additional purchase only. Kit includes four mounting feet, eight hinge caps and eight screws.



Steel back panels* -

Steel back panels are white-painted 14-gauge steel.

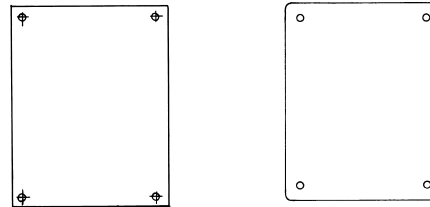
Cat. No.	Thickness	Size (in.)	Std. Ctn.	Std. Wt. (lbs.)
JP64	14 gauge	4.88 x 2.88	1	.6
JP66	14 gauge	4.88 x 4.88	1	1.0
JP86	14 gauge	6.75 x 4.88	1	1.0
JP88	14 gauge	6.75 x 6.88	1	1.2
JP108	14 gauge	8.75 x 6.88	1	1.5
JP1010	14 gauge	8.75 x 8.88	1	2.3
JP1210	14 gauge	10.75 x 8.88	1	2.7
JP1212	14 gauge	10.75 x 10.88	1	3.5
JP1412	14 gauge	12.75 x 10.88	1	3.8
JP1614	14 gauge	14.75 x 12.88	1	4.7



JIC latch kit

Cat. No.	Std. Ctn.	Std. Wt. (lbs.)
CJTL*	As required	.04

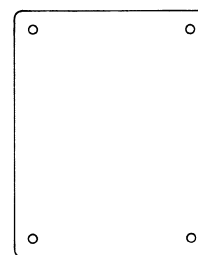
Stainless steel. Kit includes latch and keeper.
* Factory installed. Consult customer service for price and delivery. Not UL Listed.



Medium NEMA back panels*

Cat. No.	Size (in.)	Std. Ctn.	Std. Wt. (lbs.)
NP2016 / NP2016P	17 x 13	1	7.0/6.125
NP2420 / NP2420P	21 x 17	1	10.4/4.71
NP3024 / NP3024P	27 x 21	1	18.0/9.781

*Circuit Safe NEMA enclosures are not shipped with back panels, which must be ordered separately.
All accessories can be factory installed.
Consult customer service for price and delivery.



PVC back panels* -

PVC back panels are made from 1/4" PVC and meet UL94V-O.

Cat. No.	Size (in.)	Std. Ctn.	Std. Wt. (lbs.)
JP64P	4 7/8 x 2 7/8	1	.3
JP66P	4 7/8 x 4 7/8	1	.3
JP86P	6 3/4 x 4 7/8	1	.4
JP88P	6 3/4 x 6 7/8	1	.5
JP108P	8 3/4 x 6 7/8	1	.7
JP1010P	8 3/4 x 8 7/8	1	.9
JP1210P	10 3/4 x 8 7/8	1	1.2
JP1212P	10 3/4 x 10 7/8	1	1.5
JP1412P	12 3/4 x 10 7/8	1	1.7
JP1614P	14 3/4 x 12 7/8	1	2.3