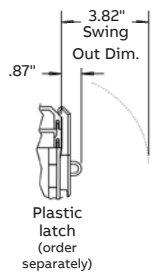
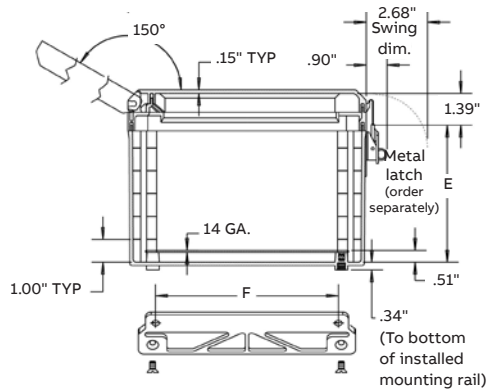
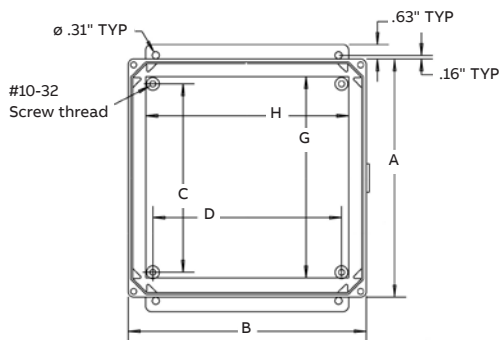
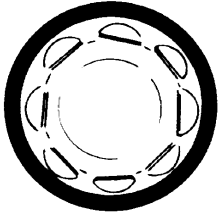


Hidden-hinge cover styles

Enclosure kits (no panel or latches)								Individual components	
Opaque Lid	Clear Lid	Body	Lid	Collar	Mtg. Rails	Back Panels		Latches (Qty. needed)	
						Steel	PVC	Steel	Non-metallic
NH644		NP644B	NH64L	NH64C	NMK4V	JP64	JP64P	SSLL (1)	NPL1L (1)
	NI644	NP644B	NI64L	NH64C	NMK4V	JP64	JP64P	SSLL (1)	NPL1L (1)
NH664		NP664B	NH66L	NH66C	NMK6V	JP66	JP66P	SSLL (1)	NPL1L (1)
	NI664	NP664B	NI66L	NH66C	NMK6V	JP66	JP66P	SSLL (1)	NPL1L (1)
NH864		NP864B	NH86L	NH86C	NMK6V	JP86	JP86P	SSLL (1)	NPL1L (1)
	NI864	NP864B	NI86L	NH86C	NMK6V	JP86	JP86P	SSLL (1)	NPL1L (1)
NH884		NP884B	NH88L	NH88C	NMK8V	JP88	JP88P	SSLL (1)	NPL1L (1)
	NI884	NP884B	NI88L	NH88C	NMK8V	JP88	JP88P	SSLL (1)	NPL1L (1)
NH1084		NP1084B	NH108L	NH108C	NMK8V	JP108	JP108P	SSLL (1)	NPL1L (1)
	NI1084	NP1084B	NI108L	NH108C	NMK8V	JP108	JP108P	SSLL (1)	NPL1L (1)
NH1086		NP1086B	NH108L	NH108C	NMK8V	JP108	JP108P	SSLL (1)	NPL1L (1)
	NI1086	NP1086B	NI108L	NH108C	NMK8V	JP108	JP108P	SSLL (1)	NPL1L (1)
NH10106		NP1010B	NH1010L	NH1010C	NMK10V	JP1010	JP1010P	SSLL (1)	NPL1L (1)
	NI10106	NP1010B	NI1010L	NH1010C	NMK10V	JP1010	JP1010P	SSLL (1)	NPL1L (1)
NH12106		NP1210B	NH1210L	NH1210C	NMK10V	JP1210	JP1210P	SSLL (2)	NPL1L (2)
	NI12106	NP1210B	NI1210L	NH1210C	NMK10V	JP1210	JP1210P	SSLL (2)	NPL1L (2)
NH12126		NP1212B	NH1212L	NH1212C	NMK12V	JP1212	JP1212P	SSLL (2)	NPL1L (2)
	NI12126	NP1212B	NI1212L	NH1212C	NMK12V	JP1212	JP1212P	SSLL (2)	NPL1L (2)
NH14126		NP1412B	NH1412L	NH1412C	NMK12V	JP1412	JP1412P	SSLL (2)	NPL1L (2)
	NI14126	NP1412B	NI1412L	NH1412C	NMK12V	JP1412	JP1412P	SSLL (2)	NPL1L (2)
NH16146		NP1614B	NH1614L	NH1614C	NMK14V	JP1614	JP1614P	SSLL (2)	NPL1L (2)
	NI16146	NP1614B	NI1614L	NH1614C	NMK14V	JP1614	JP1614P	SSLL (2)	NPL1L (2)

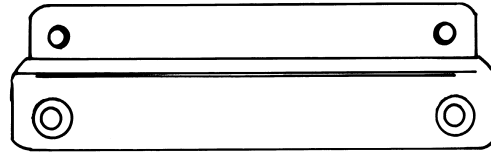


Circuit Safe®
NEMA Accessories



Gasketed pushbutton hole plug

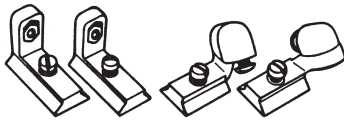
Cat. No.	Size	Std. Ctn.	Std. Wt. (lbs.)
CP900	Standard PB Hole	100	2.0



Mounting rail kits

Cat. No.	Size (in.)	Std. Ctn.	Std. Wt. (lbs.)
NMK4V	4	25	5
NMK6V	6	24	7.7
NMK8V	8	24	10.25
NMK10V	10	20	13.26
NMK12V	12	20	11.4
NMK14V	14	25	17.76

*Mounting Rails include two rails and four stainless steel screws.
Mounting Rails can be mounted on long or short side of enclosure.
Size mounting flange to side of the enclosure to which the flange will be attached.



Swing-Out Panel Adjuster Kit (NBPSWG2)



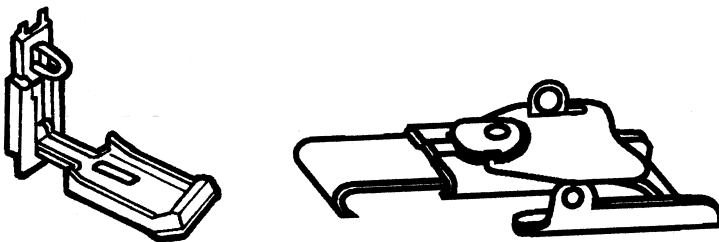
Panel Adjuster Kit (NBPADJ2)



180° Swing-Out Panel Kit (NBPSWG)

Panel adjuster kits

Cat. No.	Product	Description	Std. Ctn.	Std. Wt. (lbs.)
NBPADJ2	Panel adjuster kit	(4) Panel adjusters (4) #10-32 screws to mount panel	10 Kits	2.07
NBPSWG	180° swing-out panel kit	(4) Panel adjusters (2) Hinges (2) #10-32 screws to mount panel	10 Kits	2.68
NBPSWG2	Swing-out panel adjuster kit	(2) Hinged adjusters (2) Panel adjusters (4) #10-32 screws	10 Kits	1.80



Latch kits – For NEMA hinged enclosures

Cat. No.	Product	Description	Std. Ctn.	Std. Wt. (lbs.)
NPL1L	Non-metallic quick-release latch kit	Quick-release latch kit for use with hidden hinge enclosure for NH & NI Series	25	2.00
NPL1S	Non-metallic quick-release latch kit	Quick-release latch kit for use with external hinge enclosure for NJ & NC Series	25	2.00
SSLL	304 stainless steel quick-release latch kit	Quick-release latch kit for use with hidden hinge enclosure for NH & NI Series	25	4.27
SSLS	304 stainless steel quick-release latch kit	Quick-release latch kit for use with external hinge enclosure for NJ & NC Series	25	3.41