

---

# Slack and Splice Enclosures

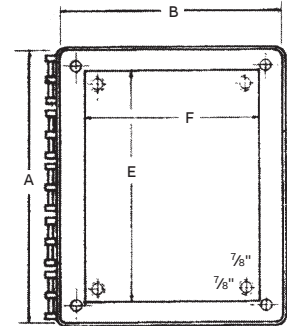
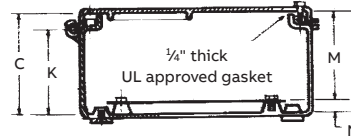
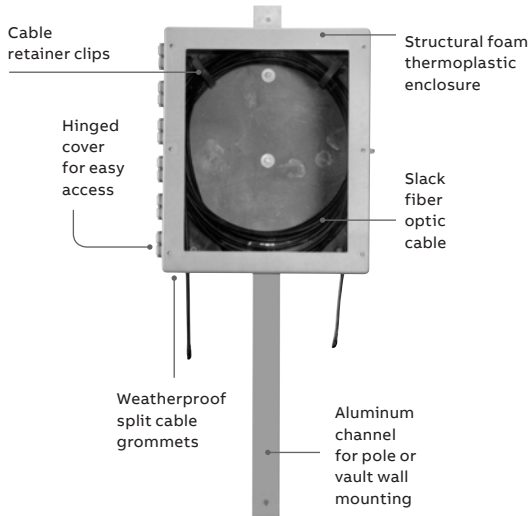
Carlson's® state-of-the-art modification capabilities enable design of slack and splice enclosures to meet specific application requirements.

**Features and benefits:**

- Slack and splice enclosures provide maximum protection of slack fiber and splice unit assemblies
- Eliminates need for difficult aerial and vault splicing
- Stores adequate slack fiber to facilitate splicing at ground level work station
- Enclosure sized to maintain minimum required radius of fiber optic cable



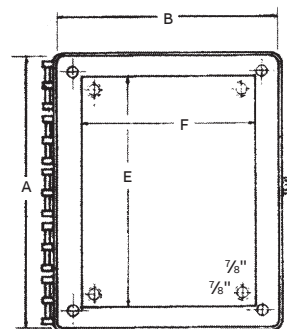
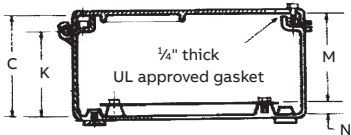
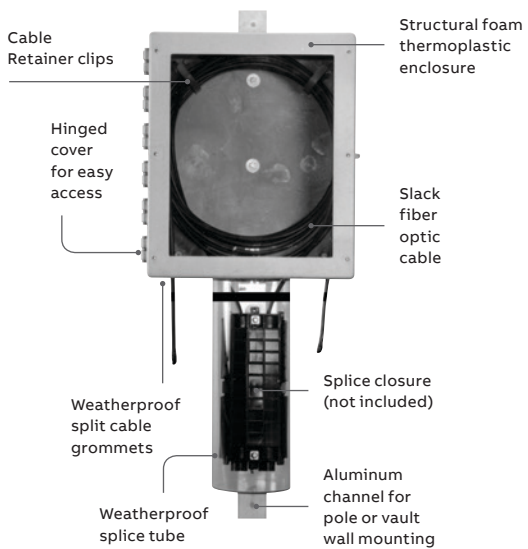
## Slack Enclosures



UL US LISTED E108856 LR31146

Cat. No.	Inside Box Size (in.)	Box Opening (in.)		Dimensions (in.)		
	A x B x C	E x F	K	M	N	
SLK11	30 x 24 x 11½	27¼ x 21¼	10¼	10½	1	
SLK12	30 x 24 x 9½	27¼ x 21¼	8¼	8½	1	
SLK21	24 x 20 x 11½	21¼ x 17¼	10¼	10½	1	
SLK22	24 x 20 x 9½	21¼ x 17¼	8¼	8½	1	
SLK31	20 x 16 x 11½	17¼ x 13¼	10¼	10½	1	
SLK32	20 x 16 x 9½	17¼ x 13¼	10¼	10½	1	

## Splice Enclosures



UL US LISTED E108856 LR31146

Cat. No.	Inside Box Size (in.)	Tube Size	Box Opening (in.)		Dimensions (in.)		
	A x B x C		E x F	K	M	N	
SPL111	30 x 24 x 11½	10	27¼ x 21¼	10¼	10½	1	
SPL122	30 x 24 x 9½	8	27¼ x 21¼	8¼	8½	1	
SPL211	24 x 20 x 11½	10	21¼ x 17¼	10¼	10½	1	
SPL222	24 x 20 x 9½	8	21¼ x 17¼	8¼	8½	1	