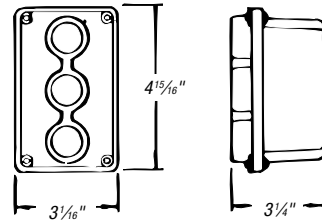


Swimming Pool and Spa Products

Used for Making Wiring Connections to Underwater Pool Lighting, Line or Low-Voltage.

Swimming Pool Junction Boxes

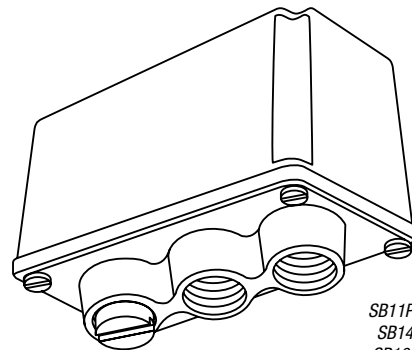
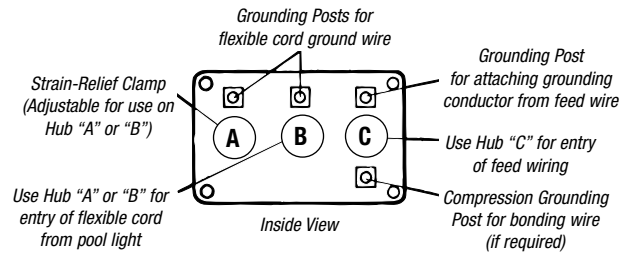
- Black LEXAN® cover, die-cast solid brass base
- Supplied with brass closure plugs, four ground screws, sealing gasket and mounting hardware
- 3 1/16" x 4 3/16" x 3 1/4" deep
- Listed in accordance to NEC® Section 680.24



SPJ-3



SPJ-5



SB11PL
SB14
SB100

SPJ Series

CAT. NO.	NO. OF PLUGS	HUB SIZE	STD. CTN.
SPJ-3	3	(2) 1/2" and (1) 1"	24
SPJ-5	5	(1) 1/2", (2) 3/4" and (2) 1"	24
SPJ-MB	—	Mounting Brackets	24
SPJ-SR	—	Rod	24

SB Series

CAT. NO.	CUBIC IN.	NO. OF PLUGS	DESCRIPTION CONDUIT HUB SIZE (IN.)			PACKAGING	
			A	B	C	BOX	STD. CTN.
SB11PL	22.0	1	1/2	1/2	1/2	1	10
SB14	22.0	1	3/4	3/4	3/4	1	10
SB100	22.0	1	3/4	1	3/4	1	10

UL Listed E-63648.

Weatherproof.

LEXAN® is a registered trademark of SABIC Innovative Plastics Company.

NEC and National Electrical Code are registered trademarks of the National Fire Protection Association, Inc.