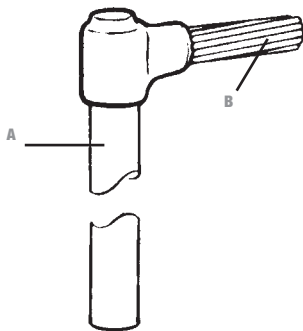


Exothermic Welding System

Cable to Ground Rod



- Stranded Conductor
- Solid Circular Conductor

CR1 (cont'd)

Cat. No.	Rod Size (A)	Wire Size (B)	Welding Powder size	Handle Clamp Type	Sleeve	Std. Qty.
CR1-3-750#6	3/4 Nominal Diameter Actual Shank Dia. 0.678 in.	6	32BKB	HCPK3	1 X SLEEVE#6	1
CR1-3-750#6S		6 solid			45BKB	
CR1-3-750#4		4	90BKB			
CR1-3-750#4S		4 solid			HCPK4	
CR1-4-750#2		2	115BKB			
CR1-4-750#2S		2 solid		150BKB		
CR1-4-750#1		1				
CR1-4-7501/0		1/0				
CR1-4-7501/0S		1/0 solid				
CR1-4-7502/0		2/0				
CR1-4-7503/0		3/0				
CR1-4-7504/0		4/0				
CR1-4-750250K		250				
CR1-4-750300K		300				
CR1-4-750350K		350				
CR1-4-750500K		500				

For Connections to Extensible (Threaded) Rods - Remove Top Threaded Section.