

STAR TECK® Teck Cable Fittings

STAR TECK XP® Jacketed Metal-Clad Cable Fittings for Hazardous Locations



CAT. NO.	HUB SIZE NPT	CABLE RANGE OVER JACKET (IN.)		CABLE RANGE OVER ARMOR (IN.)		DIMENSIONS (IN.)			SEALING COMPOUND REQUIRED	
		MIN.	MAX.	MIN.	MAX.	A MIN.	B*	C	SC65** PUTTY (G)	SC4-KIT** LIQUID (CC)
STX075-465	3/4	.725	.885	.615	.805	.612	2.62	1.82	14	7
STX075-466	3/4	.825	.985	.715	.905	.720	2.62	1.82	14	7
STX100-467	1	.880	1.065	.770	.985	.755	2.83	2.30	30	16
STX100-468	1	1.025	1.205	.915	1.125	.900	2.83	2.30	30	16
STX125-469	1 1/4	1.187	1.375	1.077	1.295	1.062	3.05	2.51	45	22
STX150-470	1 1/2	1.357	1.625	1.240	1.545	1.182	3.76	3.26	80	43
STX150-550	1 1/2	1.500	1.625	1.390	1.545	1.370	3.76	3.26	80	43
STX150-471	1 1/2	1.600	1.875	1.490	1.795	1.470	3.76	3.26	80	43
STX200-472	2	1.700	1.965	1.590	1.885	1.557	4.05	3.62	125	66
STX200-473	2	1.900	2.187	1.790	2.107	1.757	4.05	3.62	125	66
STX200-474	2	2.100	2.375	1.990	2.280	1.995	4.15	4.02	150	80
STX250-475	2 1/2	2.300	2.565	2.200	2.485	2.185	4.31	4.58	341	164
STX250-476	2 1/2	2.500	2.750	2.380	2.656	2.365	4.31	4.58	341	164
STX300-478	3	2.580	2.840	2.477	2.750	2.460	5.64	5.10	497	239
STX300-479	3	2.790	3.060	2.677	2.970	2.660	5.80	5.33	609	293
STX350-480	3 1/2	3.000	3.270	2.880	3.190	2.864	6.32	5.79	965	464
STX350-481	3 1/2	3.210	3.480	3.080	3.390	3.062	6.32	5.79	965	464
STX400-482	4	3.420	3.690	3.307	3.590	3.290	6.63	6.19	1323	636
STX400-483	4	3.610	3.870	3.477	3.770	3.460	6.63	6.19	1323	636
STX400-484	4	3.810	4.030	3.650	3.930	3.630	7.09	6.90	1645	791
STX400-485	4	3.965	4.185	3.794	4.065	3.775	7.09	6.90	1645	791

* Approximate dimension before installation.

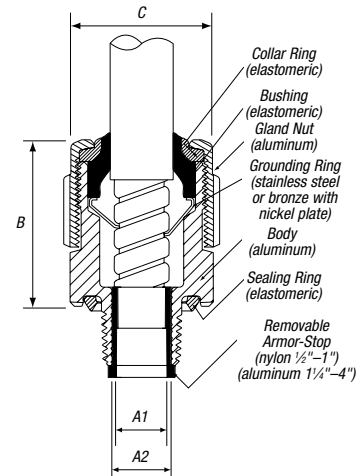
** One unit of SC65 putty type sealing compound contains 60 g. One unit of SC4-Kit liquid type sealing compound contains 66 cc and includes a dispensing syringe and fiber damming material.

CAUTION: STAR TECK XP® fittings must be installed with Thomas & Betts catalog numbers SC4-KIT or SC65 sealing compound (purchase separately). See installing instructions.

Note: Stainless Steel (SS suffix) STX and STEX fittings have a NEMA 4X rating.

Sealing Compounds

CAT. NO.	DESCRIPTION	VOLUME
SC65	Putty-Type Sealing Compound	60 grams
SC4-KIT-1	Liquid-Type Sealing Compound for use in high wire density applications (5 or more wires)	2.8 fl. oz. (66 cc)



UL Connectors When Used with Putty-Type Listed or Liquid-Type Compound for:

1/2" thru 3"	Class I	Div. 1	Groups A, B, C, D
	Class II	Div. 2	Groups F, G
	Class III		
			Enclosure Type 4

Connectors When Used with Putty-Type or Liquid-Type Compound for:

3 1/2" & 4"	Class I	Div. 1	Groups B, C, D
	Class II	Div. 2	Groups F, G
	Class III		Enclosure Type 4

CSA Certified for:

Class I	Division 1 and 2	Groups A, B, C, D
Class II	Division 1 and 2	Groups E, F, G
Class III, SL (Integral Seal)		Enclosure Type 4