

5400 SERIES™ RACEWAY

Large Capacity, Multiple Channel



Large capacity, multiple channel raceway. Lightweight and easy-to-cut. Ideal for power or communication installations that require multiple services.



Download this product's PEP ecospasport, environmental product declaration at www.legrand.us/resources-and-downloads. This declaration conforms with ISO 14025 and 14040 and is in alignment with EN 15804.

CODE REFERENCE

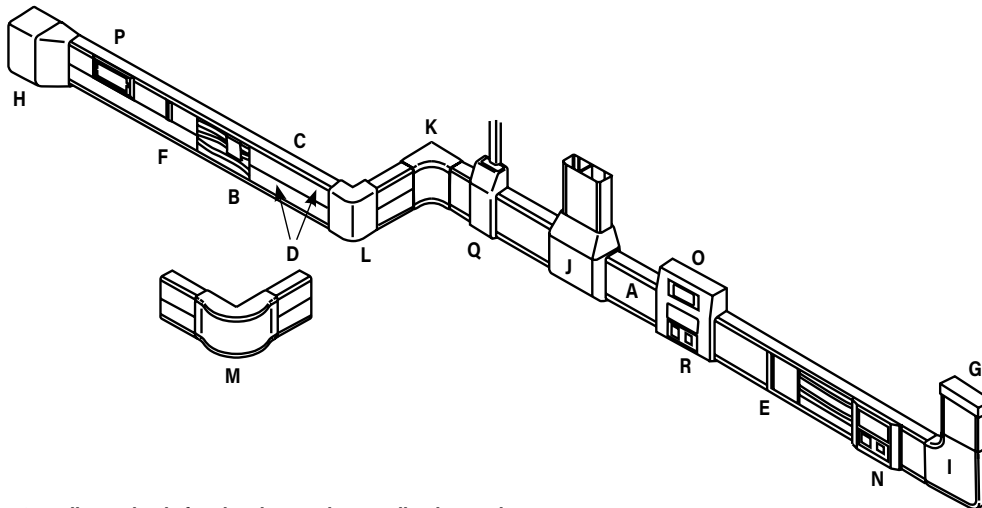
Listed Raceway:

File E90378 Guide RJTX.
Complies with flammability requirements of UL-5A.

Fittings: File E90377 Guide RJYT.

Meets Article 388 of NEC.
UL Listed for up to 600V.
Meets Section 12-1600 of CEC.

5400 Series Raceway System Layout



NOTE: Illustration is for showing product applications only.

KEY

- | | | |
|---------------------------------|-----------------------------------|-----------------------------------|
| A. 5400C Raceway Cover | G. 5410 Entrance End Fitting | M. 5418FO Radiused External Elbow |
| B. 5400TWC Twin Cover Wire Clip | H. 5410DFO Entrance End Feed | N. 5450 In-Line Device Bracket |
| C. 5400TB Two Compartment Base | I. 5411FO Flat Elbow | O. 5450A3 Multiple Device Bracket |
| D. 5400TC Twin Snap Cover | J. 5415 Tee | P. 5450T Twin Snap Device Bracket |
| E. 5406A Cover Clip | K. 5417FO Radiused Internal Elbow | Q. 5474 Transition Fitting |
| F. 5406T Twin Cover Seam Clip | L. 5418 Standard External Elbow | R. Communication Device |

COLOR OPTIONS



5400 Series™ Raceway Part Numbers with a "-WH" suffix have a white finish. Part Numbers without a suffix are only available in an ivory finish. 5400 Series Raceway is paintable using latex paint or stain.

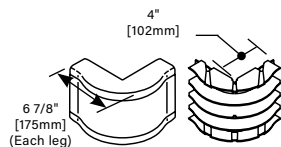
Custom color options are also available. Consult the factory for more information.

NONMETALLIC RACEWAY

5400 SERIES™ RACEWAY

Ordering Information

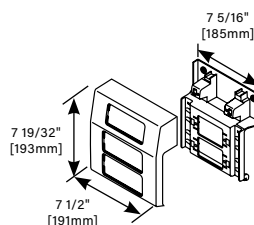
Radiused Full Capacity External Elbow



PART NUMBERS:
5418FO (Ivory)
5418FO-WH (White)

For right angle turns around external corners. Integral dividers provide 2" [51mm] cable bend radius for UTP and fiber optic installations. Use the 5418FO for a alternative to 5418.

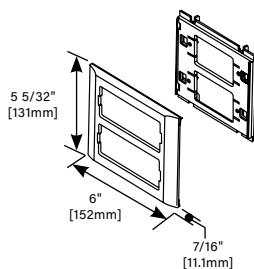
Three Device Mounting Bracket



PART NUMBERS:
5450A3 (Ivory)
5450A3-WH (White)

For mounting up to three power or communication devices at one location inline and offset from 5400 Series Raceway. For use with 5507 Series™ Faceplates, Ortronics® TracJack & Series II Modules, Pass & Seymour® Activate Series Inserts, and Wiremold Open System Communication Modules.

Device Bracket

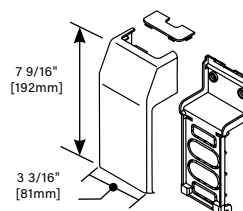


PART NUMBERS:
5450 (Ivory)
5450-WH (White)

For mounting power and communication devices in-line with 5400 Series Raceway. Utilizes 5507 Series™ Faceplates, as well as Wiremold Open System communication modules, Ortronics® TracJack and Series II inserts, and Pass & Seymour® Activate Series inserts. For faceplate options, see 5507 Series™ Faceplates.

NOTE: CM-EPLA End Plates are required when using Wiremold communication modules. S2-EPL End Plates are required when using Ortronics® Series II inserts. To mount TracJack inserts, use 5507-4TJ or 5507-6TJ Faceplates.

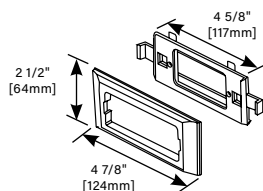
Transition Fitting



PART NUMBERS:
5474 (Ivory),
5474-WH (White)

Makes transition from 5400 Series Raceway to the 400/800/2300, or PN03, PN05, and PN10 Series Latching Raceways.

Twin Snap Device Bracket



PART NUMBERS:
5450T (Ivory)
5450T-WH (White)

For power or communication devices in a single compartment. For use with 5507 Series™ Faceplates, Ortronics® TracJack & Series II Modules, Pass & Seymour® Activate Series Inserts, and Wiremold Open System Communication Modules.

NOTE: CM-EPLA End Plates are required when using Wiremold communication modules and Pass & Seymour® Activate inserts. S2-EPL End Plates are required when using Ortronics® Series II inserts. To mount TracJack inserts, use 5507-4TJ or 5507-6TJ Faceplates.