

A4BQ

Time Delay/Class L

UL/CSA LISTED POWER FUSES

PUT THE HIGHEST CURRENT-LIMITATION...
AT YOUR SERVICE



Amp-Trap 2000® A4BQ fuses are 20% more current-limiting than any other Class L fuse on the market. When correctly coordinated, they bring a superior level of protection to service entrance equipment. Downstream circuit components have maximum protection against short circuit let-thru current. A4BQ's built-in, 4-second time-delay characteristic (at 500% of rated current) accommodates harmless inrush currents without nuisance opening.

FEATURES/BENEFITS:

- Fastest operation under short circuit conditions: Let-thru currents are typically 20% lower, with a corresponding let-thru energy (clearing I^2t) up to 40% lower than the next fastest Class L fuse
- Time-delay for high inrush loads such as motors and transformers, without nuisance opening
- 300kA interrupting rating - self-certified, UL witnessed tests
- Most current-limiting for lowest peak let-thru current; even at fault currents up to 300kA
- Recommended for Arc Flash energy reduction
- Pure silver links ensure lowest let-thru current and longer fuse life
- Easy 2-to-1 selectivity for prevention of nuisance shutdowns and "blackouts"
- Rejection-style design prevents replacement errors
- High-visibility orange label gives instant brand recognition
- Reduced inventory because A4BQ can replace all older types of Class L fuses now in-service (continued on next page)

RATINGS:

Volts: 600VAC, 500VDC

Amps: AC - 100 to 6000A,
DC - 100 to 3000A

IR: 200kA I.R. AC, 100kA
I.R. DC (Self-certified for
600VAC, 300kA I.R., UL
witnessed).

APPLICATIONS:

- Mains
- Feeders
- Large motors
- Lighting, heating & general loads
- Circuit breaker back-up
- DC rated: UPS DC links, battery disconnects, other DC applications

APPROVALS:

A4BQ (100-6000)

- UL listed to standard 248-10
File E2137
- DC listed to UL standard 248 (100-2000A)
- CSA certified to standard C22.2 No. 248.10 (601-6000A)

A4BQ (100-6000) - TA

- UL listed



FEATURES/BENEFITS (CONTINUED):

- Metal-embossed date and catalog number for traceability and lasting identification
- Fiberglass body provides dimensional stability in harsh industrial settings
- High-grade silica filler ensures fast arc quenching
- Optional mechanical TA indicator (100-6000A). Please contact factory for special trigger actuator

CATALOG NUMBERS (AMPS) RECOMMENDED FUSE BLOCKS FOR AMP-TRAP® CLASS L FUSES

| | | | |
|---------|---------|----------|----------|
| A4BQ100 | A4BQ500 | A4BQ1000 | A4BQ2000 |
| A4BQ150 | A4BQ600 | A4BQ1200 | A4BQ2500 |
| A4BQ200 | A4BQ601 | A4BQ1350 | A4BQ2501 |
| A4BQ250 | A4BQ650 | A4BQ1400 | A4BQ3000 |
| A4BQ300 | A4BQ700 | A4BQ1500 | A4BQ3500 |
| A4BQ350 | A4BQ750 | A4BQ1600 | A4BQ3800 |
| A4BQ400 | A4BQ800 | A4BQ1800 | A4BQ4000 |
| A4BQ450 | A4BQ900 | A4BQ1900 | A4BQ5000 |
| | | | A4BQ6000 |

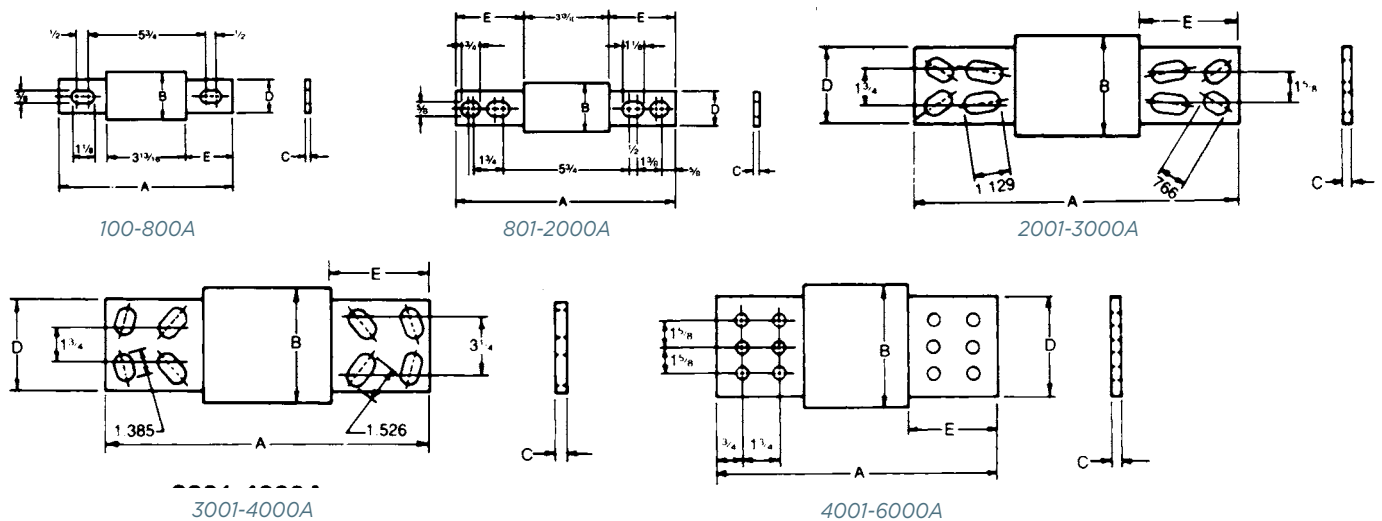
| Fuse Ampere Rating | Catalog Number 600V or Less 3 Pole |
|--------------------|------------------------------------|
| 100-800 | P48F |
| 801-1200 | P412F |

Catalog number P48F is UL recognized
Catalog number P412F is self-certified

Note: For remote blown fuse trigger actuator option add "-TA" to end of catalog number. Example: A4BQ1600-TA

DIMENSIONS

| Ampere Rating | A | | B | | C | | D | | E | |
|---------------|--------|-----|-------|-----|------|----|-------|-----|---------|----|
| | in | mm | in | mm | in | mm | in | mm | in | mm |
| 100-600 | 8-5/8 | 219 | 2 | 51 | 5/16 | 8 | 1-5/8 | 41 | 2-13/32 | 61 |
| 601-800 | 8-5/8 | 219 | 2-1/2 | 63 | 3/8 | 9 | 2 | 51 | 2-13/32 | 61 |
| 801-1200 | 10-3/4 | 273 | 2-1/2 | 63 | 3/8 | 9 | 2 | 51 | 3-15/32 | 88 |
| 1201-1600 | 10-3/4 | 273 | 3 | 76 | 7/16 | 11 | 2-3/8 | 60 | 3-15/32 | 88 |
| 1601-2000 | 10-3/4 | 273 | 3-1/2 | 89 | 1/2 | 12 | 2-3/4 | 70 | 3-15/32 | 88 |
| 2001-2500 | 10-3/4 | 273 | 4-1/2 | 114 | 3/4 | 19 | 3-1/2 | 89 | 3-15/32 | 88 |
| 2501-3000 | 10-3/4 | 273 | 5 | 127 | 3/4 | 19 | 4 | 102 | 3-15/32 | 88 |
| 3001-4000 | 10-3/4 | 273 | 5-3/4 | 146 | 3/4 | 19 | 4-3/4 | 121 | 3-15/32 | 88 |
| 4001-5000 | 10-3/4 | 273 | 6-1/4 | 159 | 1 | 25 | 5-1/4 | 133 | 3-15/32 | 88 |
| 5001-6000 | 10-3/4 | 273 | 7-1/8 | 181 | 1 | 25 | 5-3/4 | 146 | 3-15/32 | 88 |



Safety Note: Class L fuses are dimensioned for one-way interchangeability.
A Class L fuse of any lower ampere rating can be substituted for a given Class L fuse.