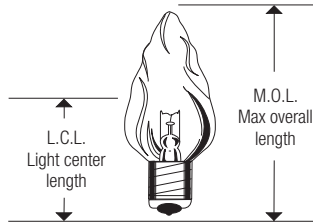


BULB IDENTIFICATION

Light Center Length (L.C.L.) is the distance from the center of the light source to the following point for the base used:
Screw bases...bottom base contact; Bayonet candelabra and medium bayonet...top of base pins.



Bulb size – Max. Diameter (Divide by 8)

A-21 – $21/8 = 2\ 5/8$ " Dia.

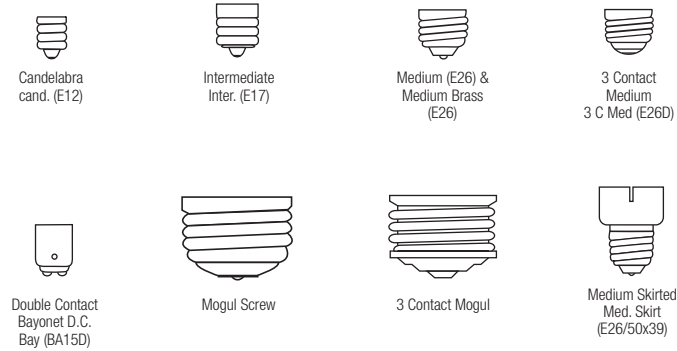
G-40 – $40/8 = 5$ " Dia.

T-12 – $12/8 = 1\ 1/2$ " Dia.

PS-30 – $30/8 = 3\ 3/4$ " Dia.

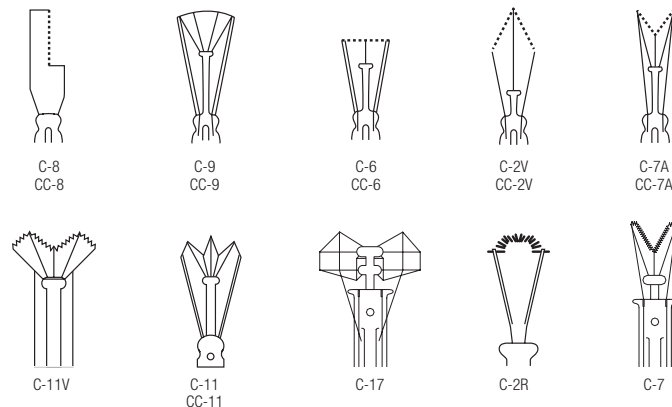
BASE IDENTIFICATION

Typical bases are shown. One lead-in wire is soldered to the center contact and the other soldered or welded to the upper rim of the base shell. Base shells are typically made of brass or aluminum. ANSI designations are in parentheses.



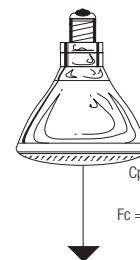
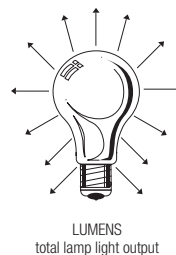
FILAMENT IDENTIFICATION

A FILAMENT designation consists of a prefix letter to indicate whether the wire is straight or coiled, and a number to indicate the arrangement of the filament on the supports. Prefix letters include: C (coiled) – wire is wound into a helical coil or it may be deeply fluted; CC (coiled coil) – wire is wound into a helical coil and this coiled wire again wound into a helical coil.



ADDITIONAL INFORMATION

Lamps listed 115-125 volts (design voltage 120), 120-130 volts (design voltage 125), 125-130 volts (design voltage 130) and 230-250 volts (design voltage 240) are intended for use on circuits normally varying within these voltage limits.

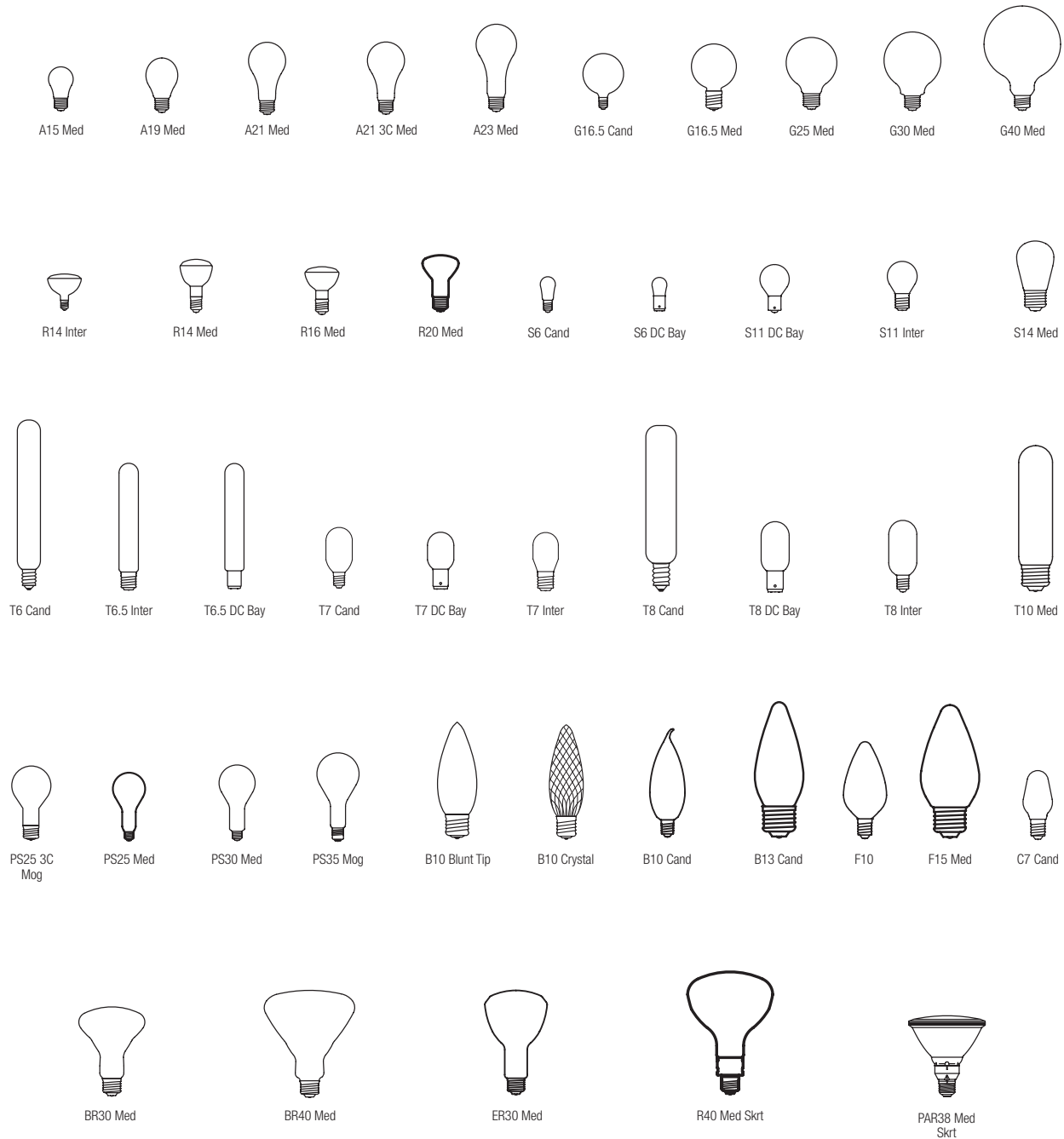


Finishes

- W or SW - Soft White
- DAY - Daylight®
- Y - Yellow
- B - Blue
- R - Red
- G - Green
- A - Amber
- IC - Iridescent clear
- FL - Flood
- SP - Spot
- IF - Inside frost
- AIC - Amber iridescent clear

INCANDESCENT LAMP SHAPES

A bulb designation consists of a letter(s) to indicate the shape and a figure to indicate the approximate major diameter in eighths of an inch. For example, an F-15 bulb is a flame-shape, 15/8 of an inch or 1-7/8 inches in diameter.



HOW TO READ PRODUCT INFORMATION – INCANDESCENT

Nominal Wattage	MOL (in)	Base	Product Number	Ordering Abbreviation	Voltage	Pkg Qty	Finish	Avg Rated Life (hrs)	CCT CRI	Lumens	Filament	Legislation Impact	Notes
-----------------	----------	------	----------------	-----------------------	---------	---------	--------	----------------------	---------	--------	----------	--------------------	-------

Bulb Describes the shape of the envelope followed by the lamp's major diameter given in eighths of an inch. See page 39: Incandescent Lamps.

Base See page 38: Base Identification.

Symbols & Footnotes All symbols and footnotes that apply to a specific product will appear in this space. The explanations of the symbols and footnotes are at the end of the incandescent section.

Ordering Abbreviation A text description of the lamp. See below for several examples and explanations of some of the codes.

Lumens, Beam Angle, CBCP These columns may contain data for any of these values.

HOW TO READ ORDERING ABBREVIATIONS

40B10C/CRYSTAL/DL/BL/2PK		60A/DL/SW/2PK/RP		65BR30/DL/FL/RP	
40	Nominal lamp wattage	60	Nominal lamp wattage	65	Nominal lamp wattage
B	Bulb shape	A	Bulb shape	BR	Bulb shape
10	Bulb size in 8th's of an inch	DL	Double Life lamp	30	Bulb size in 8th's of an inch
C	Candelabra base	SW	Soft white	DL	Double Life lamp
CRYSTAL	Crystal texture on bulb glass	2PK	2 lamps per package	FL	Flood beam pattern
DL	Double Life lamp	RP	Retail pack	RP	Retail pack
BL	Blister pack				
2PK	2 lamps per package				

For the current listing of available products and more complete product information, please visit us at www.sylvania.com.



G25



G30



G40

DECORATIVE INCANDESCENT LAMPS (cont.)

Incandescent Globe Lamps (cont.)

Incandescent G25 Globe

Nominal Wattage	MOL (in)	Base	Product Number	Ordering Abbreviation	Voltage	Pkg Qty	Finish	Average Rated Life (hrs)	CCT (K)	CRI	Lumens	Filament	Notes
25	4.44	Medium	14264	25G25 120V	120	24	Clear	1500	2850	100	165	C-9	● ●
			14276	25G25/4M 120V	120	24	Clear	4000	2850	100	155	C-9	● ●
			14282	25G25/RP 120V	120	6	Clear	1500	2850	100	165	C-9	● ●
			14145	25G25/DL/RP 120V	120	6	Clear	3000	2850	100	145	C-9	● ●
			14265	25G25/W 120V	120	24	Soft White	1500	2850	100	150	C-9	● ●
			14286	25G25/W/RP 120V	120	6	Soft White	1500	2850	100	150	C-9	● ●
			14146	25G25/DLSW/RP 120V	120	6	Soft White	3000	2850	100	145	C-9	● ●
40	4.44	Medium	14147	40G25/DL/RP 120V	120	6	Clear	3000	2850	100	290	C-9	● ●
			14266	40G25 120V	120	24	Clear	1500	2850	100	300	C-9	● ●
			14283	40G25/RP 120V	120	6	Clear	1500	2850	100	300	C-9	● ●
			15335	40G25/DL/3PK/24 120V	120	24	Clear	3000	2850	100	290	C-9	● ●
			14191	40G25/CVP/130V	130	6	Clear	1500	2850	100	300	C-9	● ●
			13966	40G25/DAY/1/6 120V	120	6	Daylight	1500	2900	100	160	C-9	● ●
			14148	40G25/DLSW/RP 120V	120	6	Soft White	3000	2850	100	265	C-9	● ●
			14267	40G25/W 120V	120	24	Soft White	1500	2850	100	260	C-9	● ●
			14287	40G25/W/RP 120V	120	6	Soft White	1500	2850	100	260	C-9	● ●
			15345	40G25/DLSW/3PK/24 120V	120	24	Soft White	3000	2850	100	265	C-9	● ●
			14190	40G25/W/CVP130V	130	6	Soft White	1500	2850	100	260	C-9	● ●
60	4.44	Medium	14261	60G25/RP 120V	120	6	Clear	1500	2850	100	550	C-9	● ●
			14149	60G25/DL/RP 120V	120	6	Clear	3000	2850	100	525	C-9	● ●
			14150	60G25/DLSW/RP 120V	120	6	Soft White	3000	2850	100	460	C-9	● ●
			14262	60G25/W/RP 120V	120	6	Soft White	1500	2850	100	475	C-9	● ●

Incandescent G30 Globe

Nominal Wattage	MOL (in)	Base	Product Number	Ordering Abbreviation	Voltage	Pkg Qty	Finish	Average Rated Life (hrs)	CCT (K)	CRI	Lumens	Filament	Notes
60	5.5	Medium	14406	60G30/W/RP 120V	120	6	Soft White	2500	2850	100	675	C-9	● ●

Incandescent G40 Globe

Nominal Wattage	MOL (in)	Base	Product Number	Ordering Abbreviation	Voltage	Pkg Qty	Finish	Average Rated Life (hrs)	CCT (K)	CRI	Lumens	Filament	Notes
25	6.94	Medium	14685	25G40 120V	120	6	Clear	2500	2850	100	160	C-9	● ●
40	6.94	Medium	14619	40G40/RP 120V	120	6	Clear	2500	2850	100	350	C-9	● ●
			14620	40G40/W/RP 120V	120	6	Soft White	2500	2850	100	335	C-9	● ●
60	6.94	Medium	14621	60G40/RP 120V	120	6	Clear	2500	2850	100	575	C-9	● ●
			15792	60G40/W/3/RP 120V	120	3	Soft White	2500	2850	100	490	C-9	● ●
100	6.94	Medium	15794	100G40/3/RP 120V	120	3	Soft White	2500	2850	100	1230	C-9	● ●
			15793	100G40/W/3/RP 120V	120	3	Clear	2500	2850	100	1050	C-9	● ●

For the current listing of available products and more complete product information, please visit us at www.sylvania.com.

NOTES FOR INCANDESCENT

Symbol	Description
●	Indicates aluminum base.
⊘	Do not operate in household sockets.
▼	Operate base down.
▲	Operate in any position.
▽	Operate base down to horizontal.
★	Heat resistant, hard glass.
☑	PAR lamps are suitable for indoor and outdoor use.
⊘	Do not operate in paper lined sockets.
♻️	This ECOLOGIC® lamp was designed to pass the Federal TCLP criteria for classification as non-hazardous waste in most states. Disposal regulations may vary; check local and state regulations.

Footnote	Description
1	Should not be used in equipment where base temperature will exceed 500°F.
2	Designed for service other than illumination.
3	Operate only in porcelain sockets.
4	Should be shielded against moisture falling on bulb.
5	Not recommended for use in enclosed close-fitting housings.
6	Not for use in ceiling fan fixtures.
7	Per Title 20 Section 1605.3(m) of the California Code of Regulations, this lamp may not be sold or offered for sale in the state of California for use in traffic signals.
8	Indefinite long life. Designed for life in excess of 10,000 hours. In-service life depends upon burning conditions.
9	Average laboratory life is 200 hours for vacuum cleaner and 600 hours for sewing machine services.
10	Operation of lamp in any position other than base up may result in some loss of protective coating.
11	A protective shield must be used external to the lamp.
12	In base up operation, heat may eventually deteriorate paper-lined or plastic sockets.
13	For use in ceiling fans.
14	Can be operated in any position.
15	May not give satisfactory performance if any accessory lighting equipment touches the glass bulb.
16	For use only with heat-resisting connector and with bulb supported by bulb rim or metal shell of base.