

Orbit's NEMA Enclosures feature code gauge steel, mounting holes and a variety of KO configurations to handle various applications including data communication network systems. Enclosures include NEMA Type 1 and Type 3R; each designed as the ideal way of protecting equipment and hazardous parts from the elements.

## NEMA Type 1 and Type 3R

### MATERIALS:

- Made from 16 Gauge Steel

### FINISH:

- ANSI 61 Gray Polyester Powder Paint
- Hi-Gloss Smoke Gray Powder Coated inside and outside.
- Other finished available upon special request

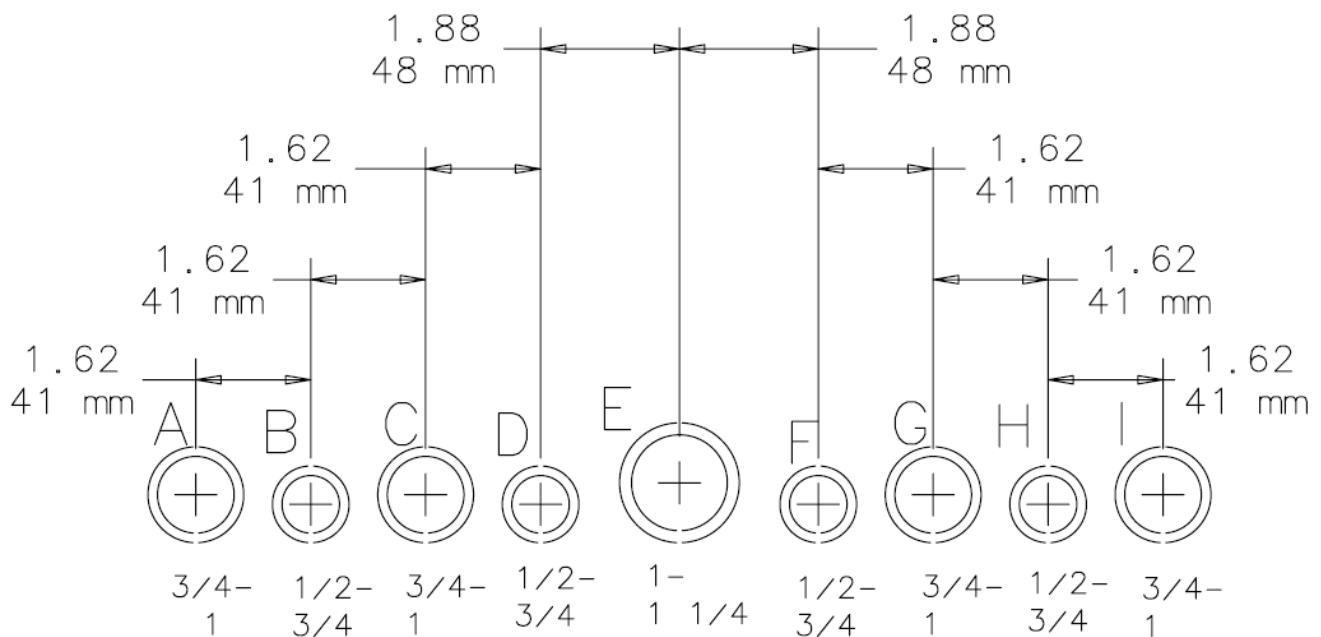
### KNOCK-OUT:

- Standard CKOs featured on all sides
- Enclosures also available without knockouts

### COVERS:

- Flat covers are provided with key holes for rapid removal from box without removing screws.
- Flush mount covers also available.

## NEMA Type 1 and Type 3R Knock Out Patterns





## NEMA TYPE 1 SCREW COVER ENCLOSURES WITH K.O.

### PRODUCT FEATURES

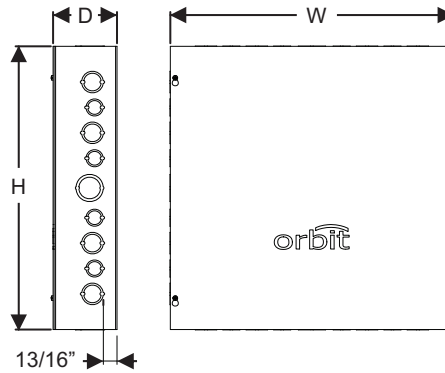
- ▶ ANSI 61 Gray Polyester Powder Paint Finish inside and out
- ▶ 16 Gauge Steel or Plated Steel
- ▶ Mounting holes on back of box



NEMA Enclosures

Cat. No.	Enclosure Size (Inches)			K.O. Pattern		Std. Pkg.
	Width (W)	Height (H)	Depth (D)	A (Top & Bottom)	B (Left & Right)	
444	4	4	4	B-C	B-C	6
464	4	6	4	B-C	B-C-D	6
664	6	6	4	B-C-D	B-C-D	6
666	6	6	6	B-C-D	B-C-D	6
884	8	8	4	F-G-H-I	F-G-H-I	6
886	8	8	6	F-G-H-I	F-G-H-I	4
10104	10	10	4	C-D-E-F-G	F-G-H-I	4
10106	10	10	6	C-D-E-F-G	F-G-H-I	4
12124	12	12	4	C-D-E-F-G	C-D-E-F-G	2
12126	12	12	6	C-D-E-F-G	C-D-E-F-G	2
12128	12	12	8	C-D-E-F-G	C-D-E-F-G	1
12186	12	18	6	C-D-E-F-G	A-B-C-D-E-F-G-H-I	1
16164	16	16	4	B-C-D-E-F-G-H	B-C-D-E-F-G-H	1
16166	16	16	6	B-C-D-E-F-G-H	B-C-D-E-F-G-H	1
16168	16	16	8	B-C-D-E-F-G-H	B-C-D-E-F-G-H	1
18184	18	18	4	A-B-C-D-E-F-G-H-I	A-B-C-D-E-F-G-H-I	1
18186	18	18	6	A-B-C-D-E-F-G-H-I	A-B-C-D-E-F-G-H-I	1
18188	18	18	8	A-B-C-D-E-F-G-H-I	A-B-C-D-E-F-G-H-I	1
24244	24	24	4	A-B-C-D-E-F-G-H-I	A-B-C-D-E-F-G-H-I	1
24246	24	24	6	A-B-C-D-E-F-G-H-I	A-B-C-D-E-F-G-H-I	1
24248	24	24	8	A-B-C-D-E-F-G-H-I	A-B-C-D-E-F-G-H-I	1

Subject to change without notice.



## NEMA TYPE 1 SCREW COVER ENCLOSURES WITHOUT K.O.

### PRODUCT FEATURES

- ▶ ANSI 61 Gray Polyester Powder Paint Finish inside and out
- ▶ 16 Gauge Steel or Plated Steel
- ▶ Mounting holes on back of box



Cat. No.	Enclosure Size (Inches)			Std. Pkg.
	Width (W)	Height (H)	Depth (D)	
444NK	4	4	4	6
464NK	4	6	4	6
664NK	6	6	4	6
666NK	6	6	6	6
884NK	8	8	4	6
886NK	8	8	6	4
10104NK	10	10	4	4
10106NK	10	10	6	4
12124NK	12	12	4	2
12126NK	12	12	6	2
12128NK	12	12	8	1
12186NK	12	18	6	1
16164NK	16	16	4	1
16166NK	16	16	6	1
16168NK	16	16	8	1
18184NK	18	18	4	1
18186NK	18	18	6	1
18188NK	18	18	8	1
24244NK	24	24	4	1
24246NK	24	24	6	1
24248NK	24	24	8	1

Subject to change without notice.

Note: Other size & finishes are available by special order upon request.  
Contact Orbit Representative for more information.