

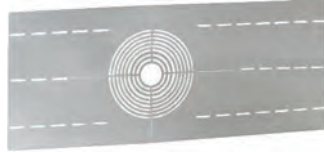
# P19 | Recessed Light Adapter Plates

## RECESSED LIGHT ADAPTER PLATES

### PRODUCT FEATURES

- ▶ A faster and more convenient method to install recessed light fixtures than traditional bar hangers or fixture brackets
- ▶ Available for Hard Lid (**RAP** & **RAP-SQ**) and T-Bar (**RAP-T** & **RAP-SQ-T**) applications
- ▶ **RAP** & **RAP-T** accommodate most 2" to 8" round and up to 5-1/4" square recessed downlights
- ▶ **RAP-SQ** & **RAP-SQ-T** accommodate most 2" to 10" square recessed downlights or ceiling speakers
- ▶ Can be easily preassembled for a quicker job site install
- ▶ Center marking allows for an easy positioning and installing of fixtures onto the plate with tek screws

Cat. No.	Description	Std. Pkg.
<b>RAP</b>	Recessed Light Fixture Adapter Plate, Hard Lid, Round Opening up to 8"	10
<b>RAP-T</b>	Recessed Light Fixture Adapter Plate, T-Bar, Round Opening up to 8"	10
<b>RAP-SQ</b> <small>NEW</small>	Recessed Light Fixture Adapter Plate, Hard Lid, Square Opening up to 10"	10
<b>RAP-SQ-T</b> <small>NEW</small>	Recessed Light Fixture Adapter Plate, T-Bar, Square Opening up to 10"	10



RAP



RAP-T



RAP-SQ



RAP-SQ-T

**PATENTED**

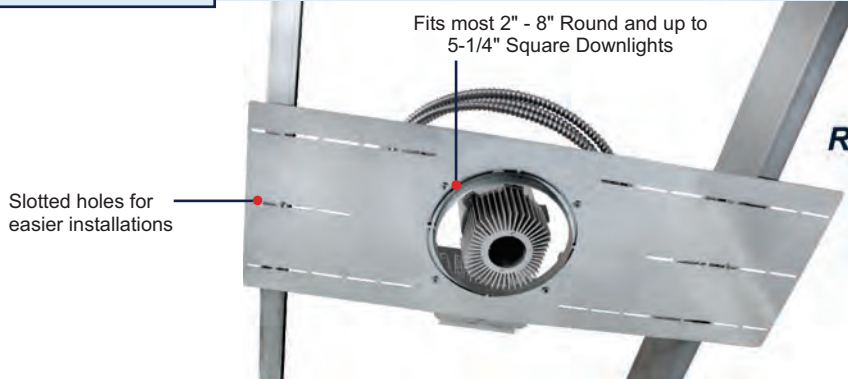
**ORBIT INDUSTRIES EXCLUSIVE**



**Video Available On Our Website!**

**Installs up to 4x FASTER than traditional methods!**

### RAP INSTALLATION

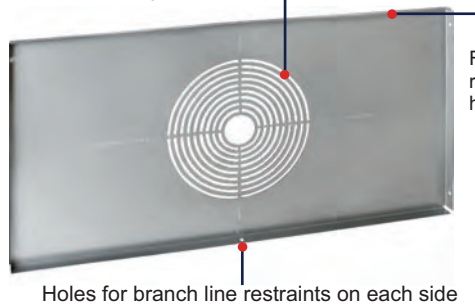


**RAP & RAP-SQ offset to account for irregular stud spacing**

**Fits up to 26" stud spacing**

### RAP-T INSTALLATION

Fits most 2" - 8" Round and up to 5-1/4" Square Downlights



**RAP-T & RAP-SQ-T fit most 2' wide T-Bar grids**



RAP-T installed in T-Grid Ceiling

**Flip RAP-T for Oversized Downlights**