

Type K Heavy Duty Pilot Lights

When ordering, add prefix 9001 to the catalog number.

Table 19.235: Pilot Lights—UL Types 4, 13/NEMA 4 & 13^{[44][45]}




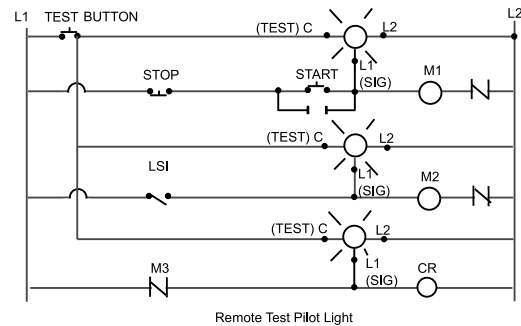
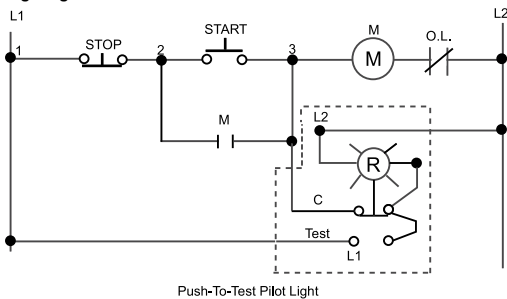
Description	Voltage	Style	With Red Fresnel Color Cap ^[46]	With Green Fresnel Color Cap ^[46]	With Other Color Cap ^[46] ^[47]	Without Color Cap ^[46]
 Standard Pilot Light (Plastic Fresnel Color Cap Shown)	110–120 V, 50–60 Hz 220–240 V, 50–60 Hz 24–28 Vac/Vdc	Transformer Transformer Full Voltage	KP1R31 KP7R31 KP35R31	KP1G31 KP7G31 KP35G31	KP1■ KP7■ KP35■	KP1 KP7 KP35
	For other voltages see <i>Standard and Shallow Depth Light Modules</i> , page 19-91.	Transformer, Flashing or LED ^[48] Full Voltage, Neon or Resistor ^[49]	KP▲R31 KP▲R31	KP▲G31 KP▲G31	KP▲■ KP▲■	KP▲ KP▲
 Push-To-Test Pilot Light (Glass Color Cap Shown)	110–120 V, 50–60 Hz 220–240 V, 50–60 Hz 24–28 Vac/Vdc	Transformer Transformer Full Voltage	KT1R31 KT7R31 KT35R31	KT1G31 KT7G31 KT35G31	KT1■ KT7■ KT35■	KT1 KT7 KT35
	For other voltages see <i>Standard and Shallow Depth Light Modules</i> , page 19-91.	Transformer, Flashing or LED ^[48] Full Voltage, Neon or Resistor ^[49]	KT▲R31 KT▲R31	KT▲G31 KT▲G31	KT▲■ KT▲■	KT▲ KT▲
 Remote Test Pilot Light (Glass Color Cap Shown)	120 Vac Only 24–28 Vac Only for other voltages	Resistor ^[50] Full Voltage ^[50]	KTR38R31 KTR35R31	KTR38G31 KTR35G31	KTR38■ KTR35■	KTR38 KTR35
	See <i>Standard and Shallow Depth Light Modules</i> , page 19-91. ^[50]	Full Voltage or Resistor ^[50]	KTR▲R31	KTR▲G31	KTR▲■	KTR▲

Table 19.236: Color Caps

Color	Plastic Fresnel	Plastic Domed	Glass
Amber	A31	A9	A6
Blue	L31	L9	L6
Clear	C31	C9	C6
Green	G31	G9	G6
Red	R31	R9	R6
White	W31	W9	W6
Yellow	Y31	Y9	Y6

Typical Wiring Diagram



For Contact Blocks, see *Type KA Contact Blocks*, page 19-90
 For Light Modules, see *Standard and Shallow Depth Light Modules*, page 19-91
 For Accessories, see *Type K and SK Accessories*, page 19-94

^[44] For use in hazardous locations, see *Square D Offering According to Class, Division, and Group*, page 19-92

^[45] Legend plates not included.

^[46] When ordering, add prefix 9001 to the catalog number.

^[47] ■ Add the color code as chosen from *Table 19.236 Color Caps*, page 19-79. **EXAMPLE: KP1 with a blue fresnel cap = KP1L31**

^[48] The cap must be the same color as the LED light module chosen, e.g., for green LED, use green color cap.

^[49] On neon light modules, use clear color caps only.

^[50] On remote test pilot lights use only full voltage or resistor voltage assembly codes. Do not choose LED (exception - these LED codes are allowed: 38LG, 38LL, 38LR, 38LW, 38LY), neon or transformer codes. For AC use only.