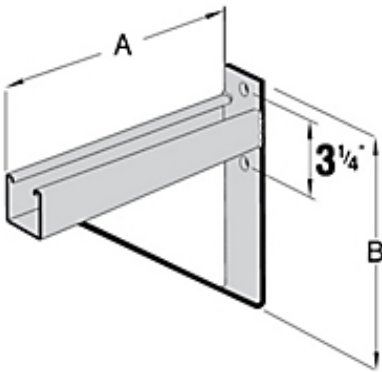


**Catalog Number:** S249-42HDG  
**Product ID:** 7TBA005770R0026  
**UPC Number:** 61601311454  
**Status:** Active



Actual



Line Art

Strut, Heavy Duty Bracket 42-1/2 inch Hot Dipped Galvanized

### North American Specifications (UNSPSC)

UNSPSC	31162504 Electrical fixture brackets
IGCC	3012 Electrical fixture brackets
Brand Name	Superstrut
Type	Fittings, Brackets & Hardware
Material	Steel
Length	42-1/2 Inch
Height	9 Inches
Finish	Hot-Dip Galvanized
Number Of Holes	2

### European Specifications (ETIM)

ETIM	EC000022 Bracket for cable support system
Model	Wall bracket
Angle	90-90°
Material	Steel

### Packaging

Outer Quantity	1
Outer Dimensions (inches)	1x1x1
Weight Uom	14.45 lbs. Each

### Documents / Support Tools

Technical Data Sheet CA	Available on Website
-------------------------	----------------------

For further technical assistance, please contact us...

Thomas & Betts - USA  
 8155 T&B Blvd.  
 Memphis, TN 38125  
 www.tnb.com

T&B Technical Support  
 MS 3B-50  
 8155 T&B Blvd.  
 Memphis, TN 38125

Hours: 7AM - 6PM CDT  
 Monday-Friday  
 Phone: (888) 862-3289  
 Fax: (901) 252-1321  
 Email: techsupport@tnb.com