

DuraTite® and Ever-Lok® Locking Connections

Combination Gland Nut and Cable Clamp



Provides extra clamping protection in hard service applications. Relieves terminals and rubber gland of all cable strain.

PLUG OR CONNECTOR SIZE	CAST ALUMINUM CAT. NO.	CAST BRASS CAT. NO.	MAX. CABLE DIA.
10 Amp	3905	3905B	.62"
20 Amp	3906	3906B	1.12"
30 Amp	—	—	—

Material — Cast aluminum, corrosion-resistant copper-free alloy, epoxy powder-coat finish, cast brass.

Conduit Adapters



Adapter tapped with NPT thread to accommodate armored and non-metallic cable or flexible conduit.

PLUG OR CONNECTOR SIZE	CAST ALUMINUM CAT. NO.	CAST BRASS CAT. NO.	TAPPED HOLE NPT
15 Amp	FSA11	FSA11B	.5"
	FSA12	FSA12B	.75"
30 Amp	FSA21	FSA21B	.5"
50 Amp	FSA22	FSA22B	.75"
	FSA23	FSA23B	1"

Cable Bushings

HOLE DIAMETER FOR CABLE	SIZE 1 MIDGET EVER-LOK	SIZE 2 STD. 15 AMP	SIZE 3 20, 30 AND 50 AMP
.250"	MG0	—	—
.313"	—	SG05	—
.375"	—	SG1	JG31
.438"	MG15	SG15	—
.500"	MG2	SG2	JG32
.531"	—	SG2A	—
.563"	MG25	SG25	JG325
.594"	MG2B	SB2B	—
.625"	—	SG3	JG33
.688"	—	SG3A	—
.750"	—	SG4	JG34
.875"	—	—	JG35
1.000"	—	—	JG36*
1.125"	—	—	JG361**

Material — Oil-resistant Neoprene.

Size 3 Cable Bushing:

* Style for maximum cable only.

** Special minimum wall style.

Notes:

Bushing specials available at time of order.

When standard plugs or connectors are required to be furnished with one or more of the above accessories, add the suffix and catalog number of the accessory selected to the catalog number of the plug or connector. Complete list price is the total of the list price of the device plus the list price of the accessory.

Example — Catalog No. SKP3G with adapter tapped 3/8" would be Catalog No. SKP3G/JG31.



Size 2
Cable Bushing



Size 3
Cable Bushing

Control Circuit Connections

Russellstoll Line Selections for Indoor and Outdoor Applications

SK/SKW Multi-Pin Control Circuit to 11P12W 20A

The toughest multi-circuit, screw-termination circular connector system; use self-locking SK components indoor and collar-locking SKW components outdoor; load breaking at 20 amps. Solid brass (silver-plated) contacts ensure long life and interiors can be rebuilt. All pin counts are available from 3P4W through 11P12W, gasketed interiors in SKW.

Switches 125/250VAC 10A, 20A and 30A

SPST and SPDT Tumbler Switches are offered in industrial and hazardous-duty styles. Heavy-duty, copper-free aluminum housings (brass available) around selected common ratings. Switches carry AC-only ratings (see Hazardous Duty section for explosion-proof switches).

Interlocks through 4P5W 30A through 400A

A broad offering of performance interlocks in sheet steel, cast aluminum or brass. Automotive/Industrial welding units include 60A and 100A versions, both Heavy Service Ever-Lok® and MaxGard® lines. Switched, fused and circuit breaker versions are available as well as switchgear selections. Custom enclosures wall-mount or column-mount in standard 8" I-beam webs.



Typical Application Groups

General Industrial Marine

- Lighting Systems
- Shore-to-Ship Power
- Welding Stations
- Portable Distribution Centers
- Shipboard Power Outlets
- Telephone Shore-to-Ship

Construction and Agriculture

- Generator Sets and Systems
- Portable Tools and Equipment
- Irrigation System Panels
- Portable Lighting and Equipment

Government, Municipal and Utilities

- Portable Building Power
- Army Corps of Engineers
- Utilities Panels
- Emergency Power Systems
- Sewage Pumping Stations
- Lighting and Controls

Industrial and OEM

- Factory Power Outlets
- HVACR Controls
- Machine Tool Controls
- Amusement Park Systems

Usage

- Any application where electrical connections need protection from water and/or dust entering the contacts or the wiring compartment
- Cable or conduit sealing and device locking designs are critical
- Metal connectors are usually preferred for long service life

Control Circuit Connections

20 Amp, 250 Volts AC or DC, 600 Volts AC Maximum Rating
Load-Breaking Multi-Circuit Receptacles, Plugs, Connectors and Inlets

Features and Benefits

Type SK

Type SK multi-circuit receptacles, plugs, inlets and connectors are designed for indoor or NEMA 1 automatic press, tool control and welder applications requiring rugged, shock-resistant devices capable of safely interrupting rated currents under load.

Receptacles and connectors have Neoprene gasket mounts and positive grounding path through separate contact. Equipment grounding contacts "make first" and "break last." Wiring space is generous. Listed ratings are for interrupting currents under load.

The time-tested Ever-Lok® automatic locking feature provides positive connections under the most severe conditions of shock and vibration. Yet a twist of the wrist instantly disengages the plug when required.



Control Circuit Connections

Indoor, NEMA 1
20 Amp Load Breaking
250 Volts DC
600 Volts AC (Maximum Rating)

Standard Service



Connector



Reverse Service



POLES/ WIRES	FEMALE RECEPTACLE STYLE SKR	MALE PLUG STYLE SKP	FEMALE CONNECTOR STYLE SKC	MALE RECEPTACLE STYLE SKRR	CONNECTOR*/ FEMALE PLUG STYLE SKCU	CABLE BUSHING HOLE ID
2P3W	SKR3G	SKP3G	SKC3G	SKRR3G	SKCU3G	5/8"
3P4W	SKR4G	SKP4G	SKC4G	SKRR4G	SKCU4G	5/8"
4P5W	SKR5G	SKP5G	SKC5G	SKRR5G	SKCU5G	3/4"
5P6W	SKR6G	SKP6G	SKC6G	SKRR6G	SKCU6G	3/4"
6P7W	SKR7G	SKP7G	SKC7G	SKRR7G	SKCU7G	3/4"
7P8W	SKR8G	SKP8G	SKC8G	SKRR8G	SKCU8G	7/8"
8P9W	SKR9G	SKP9G	SKC9G	SKRR9G	SKCU9G	7/8"
9P10W	SKR10G	SKP10G	SKC10G	SKRR10G	SKCU10G	1"
10P11W	SKR11G	SKP11G	SKC11G	SKRR11G	SKCU11G	1"
11P12W	SKR12XG	SKP12XG	SKC12XG	SKRR12XG	SKCU12XG	1"

* Connectors: Both SKCU and SKC connectors will mate with standard service SKP plugs. SKC devices offer external shroud protection for female contacts. Both devices will lock with plug.

Note: With conduit fittings, plugs and connectors can be furnished with adapters to accommodate rigid conduit or standard connectors for armored and non-metallic cable or flexible conduit. See **page H-443**. Special construction: press control lockout dummy, Cat. #SKPD-.

Specifications

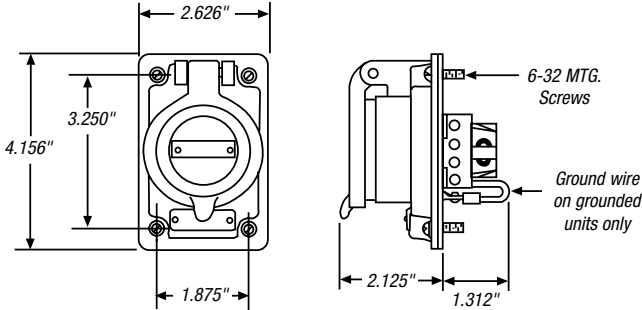
- Receptacle Housing:
 - Furnished with Neoprene gasket and 6-32 mounting screws
 - Type SKWR — Cast aluminum, corrosion-resistant copper free alloy
 - Style SKR — Heavy-gauge steel, plated
- Plug Housing:
 - Type SKP — Steel, zinc-plated with heavy-cast aluminum alloy cable clamp and cable bushing
 - Type SKWP — Cast aluminum, corrosion-resistant copper-free alloy, epoxy powder-coat finish. Furnished with heavy-cast cable clamp and cable bushing
- Connector Housing: Cast aluminum, corrosion-resistant copper-free alloy, epoxy powder coat finish. Furnished with heavy-cast cable clamp and cable bushing
- Conduit Boxes: Cast boxes for above receptacles are listed on **page H-440**. Type SK receptacles require FD series or DSFD box; can be furnished with single-gang outlet box at additional cost. When required, add suffix catalog number of box to catalog number of receptacle
- Cable Bushing: Oil-resistant Neoprene strain relief cable bushing regularly furnished with hole size as listed; other hole sizes available at no extra cost if specified on order. See **page H-443** for additional sizes
- Interiors: Contacts are removable and have pressure type terminals for 12 AWG maximum conductors
- Insulating Bodies: Arc- and impact-resisting mold composition
- Contacts: Silver plated with fully insulated pressure screw-type terminals
- Repair Kits: Pins/Sleeves Repair — Components for rebuild of 2-4 interiors

Male Devices **Cat. No. SKX12MS**
Female Devices **Cat. No. SKX12FA**

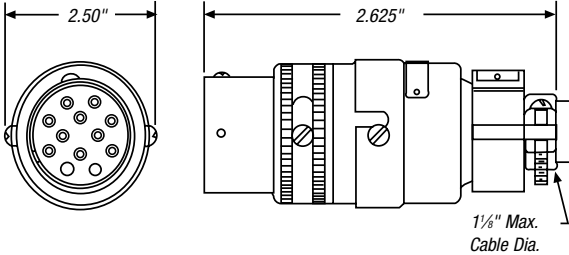
Control Circuit Connections

Standard Service

Female Receptacle — Style SKR



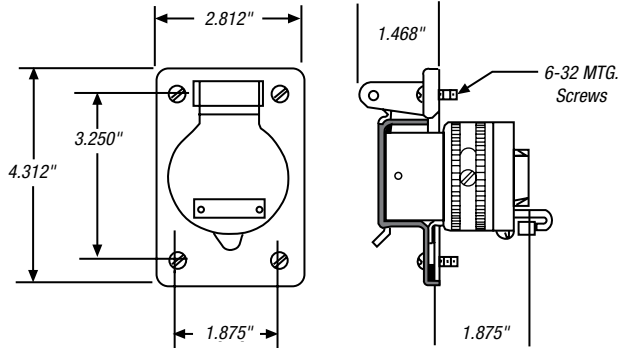
Male Plug — Style SKP



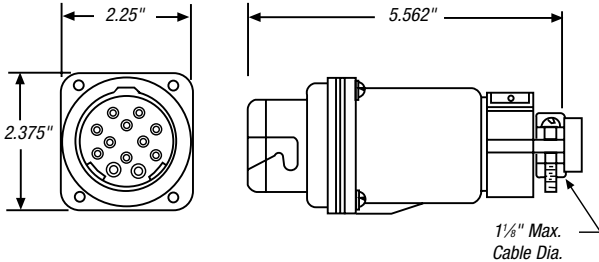
Note: All require FD or DSFD series box mounting.

Reverse Service

Male Receptacle — Style SKRR



Female Plug — Style SKCU (non-shrouded connection)



Connector

Female Connector — Style SKC (shrouded style)

