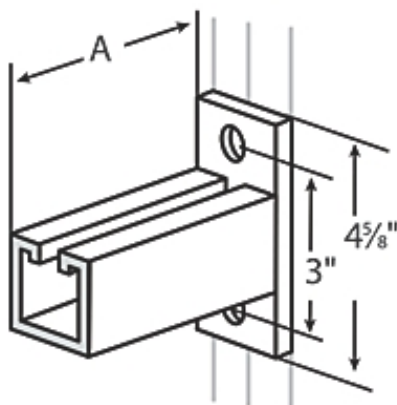




Representative



Illustration

**Catalog Number:** S250 36  
**Product ID:** 7TAA005170R0035  
**UPC Number:** 61601313501  
**Status:** Active

Bracket, Cantilever Half-Slot Channel, Length 36 Inches, Height 4-5/8 Inches, Design Load 400 Pounds, Steel

- Excellent corrosion resistance

### North American Specifications (UNSPSC)

UNSPSC	31162504 Electrical fixture brackets
IGCC	3012 Electrical fixture brackets
Brand Name	Superstrut
Material	Steel
Length	36 Inches
Height	4-5/8 Inches
Finish	GoldGalv
Number Of Holes	2

### European Specifications (ETIM)

ETIM	EC000022 Bracket for cable support system
Model	Wall bracket
Angle	90-90°
Material	Steel
Material quality	Other
Surface protection	Other
Colour	None

### Packaging

Outer Quantity	1
Outer Dimensions (inches)	36.5x5x1.75
Weight Uom	560 lbs. per 100

### Documents / Support Tools

Technical Data Sheet US	Available on Website
Technical Data Sheet CA	Available on Website

For further technical assistance, please contact us...

Thomas & Betts - USA  
 8155 T&B Blvd.  
 Memphis, TN 38125  
[www.tnb.com](http://www.tnb.com)

T&B Technical Support  
 MS 3B-50  
 8155 T&B Blvd.  
 Memphis, TN 38125

Hours: 7AM - 6PM CDT  
 Monday-Friday  
 Phone: (888) 862-3289  
 Fax: (901) 252-1321  
 Email: [techsupport@tnb.com](mailto:techsupport@tnb.com)